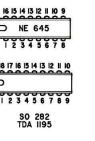
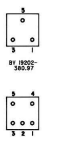
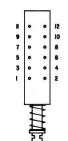


- M = MICRO
MICROPHONE
- RA = RADIO
- AUT = AUTOMATIC
AUTOMATIC
AUTOMATIC
- MAN = MANUEL
MANUEL
MANUEL
- LW = LIMITER
- A = AFS
AUFSTIMMUNG
SPERTE
- E = EN
EINGANG
ANSCHLUSSE
- FE = FREQUENZ
TYPEN DER KABELN
SPECIE DI NASTRI
- L = LINIEN KANAL
LEFT CHANNEL
CANAL DE GAUCHE
CANALE SINISTRO
- R = RECHTER KANAL
RIGHT CHANNEL
CANAL DE DROITE
CANALE DESTRO
- MFC = MFC-FILTER 59 612
- REC = AUFNAHME
RECORDING
REGISTRAZIONE
- PF = FESCHLOSSEN BEI POSTFADING
CLOSE IN POSTFADING
CHIUSO IN POSTFADING
- PP = OFFEN NUR BEI POSTFADING
OPEN WHEN POSTFADING ONLY
AVERTI IN POSTFADING SULL'AVVERTI IN POSTFADING SULL'AVVERTI
- SCHLEISSCHALTER
SLIDE SWITCH
COMMANTEUR DE MOUVEMENT
COMMANTEUR A COURSE
- STIMMSCHWELER (RADIO-LINE-MICRO)
TUNE SELECTOR (RADIO-LINE-MICRO)
SELETTOR D'ENTREE (RADIO-LINE-MICRO)
SELETTOR DI ENTRATA (RADIO-LINE-MICRO)
- LEITER
LEADER
CONDUTTORE
- AUTOMATIC
AUTOMATIC
AUTOMATICO
- BANDWAGEN
TAPE SELECTION
SELETTOR DI NASTRI
- FE
FCR
- MFC 09623-174.07 TEST 400 HZ
- DOLBY 09623-174.07
- POSTFADING 09623-16.07
- TEST 400 HZ 09623-16.03
- TEST 10 KHZ 09623-16.03



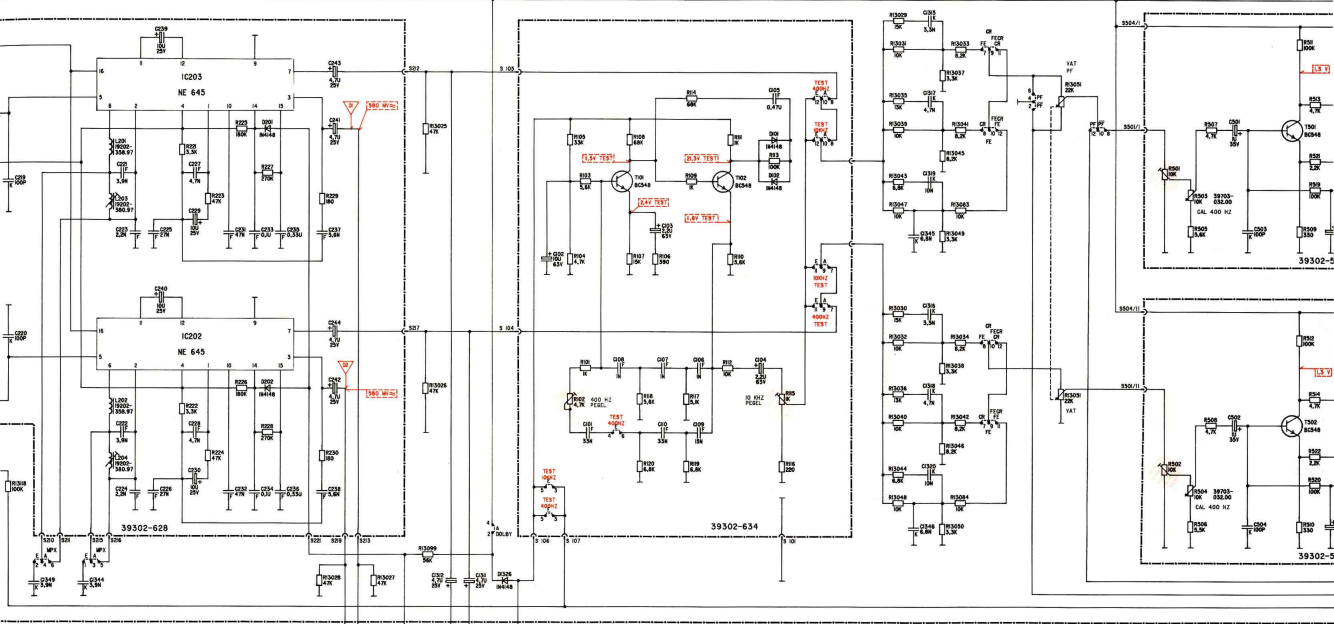
D	1	2	3	4	5	6	7	8	9	10	11	12	13	14	15	16	17	18	19	20	21	22	23	24	25	26	27	28	29	30	31	32	33	34	35	36	37	38	39	40	41	42	43	44	45	46	47	48	49	50	51	52	53	54	55	56	57	58	59	60	61	62	63	64	65	66	67	68	69	70	71	72	73	74	75	76	77	78	79	80	81	82	83	84	85	86	87	88	89	90	91	92	93	94	95	96	97	98	99	100
RE	1	2	3	4	5	6	7	8	9	10	11	12	13	14	15	16	17	18	19	20	21	22	23	24	25	26	27	28	29	30	31	32	33	34	35	36	37	38	39	40	41	42	43	44	45	46	47	48	49	50	51	52	53	54	55	56	57	58	59	60	61	62	63	64	65	66	67	68	69	70	71	72	73	74	75	76	77	78	79	80	81	82	83	84	85	86	87	88	89	90	91	92	93	94	95	96	97	98	99	100

R 102 TESTFREQ. 400 HZ
TEST LEV. 400 HZ
TEST NIVEL 0 H 400 HZ TEST
LEVEL 0 H 400 HZ TEST

R 105 TESTFREQ. 10 KHZ
TEST LEV. 10 KHZ
TEST NIVEL 0 H 10 KHZ TEST
LEVEL 0 H 10 KHZ TEST

R 200 L AUTOMATIC-SCHWELLE
AUTOMATIC THRESHOLD
SOGLI AUTOMATICI

R 200 R SOGLI AUTOMATICI
AUTOMATIC THRESHOLD



X 102 TESTFREI 400 HZ
 TEST LEVEL 400 HZ
 NIVELLO DI 400 HZ TEST

X 103 TESTFREI 0 HZ
 TEST LEVEL 0 HZ
 NIVELLO DI 0 HZ TEST

X 100 L AUTOMATISCHENNELLE
 AUTOMATIC THRESHOLD
 SEGN. AUTOMATICO
 SOLLA AUTOMATICA

X 500 BANDOCCHEVOLLEMIT
 TAPPE SENSITIVITA'
 SENSIBILITA' DI BANDA

X 539 VORMARKTISPIELUNG ODER
 PREAMPLIFICATION OF
 PREAMPLIFICAZIONE OF

X 13043 VORMARKTISPIELUNG FE
 PREAMPLIFICATION FE

X 13004 VORMARKTISPIELUNG FE
 PREAMPLIFICATION FE

X 13027 LINDERKAMPFUNG BEI POSTADUNG
 TESSI ATTENUATION IN POSTADUNG
 ATTENUAZIONE DI CANCELLAZIONE IN POSTADUNG

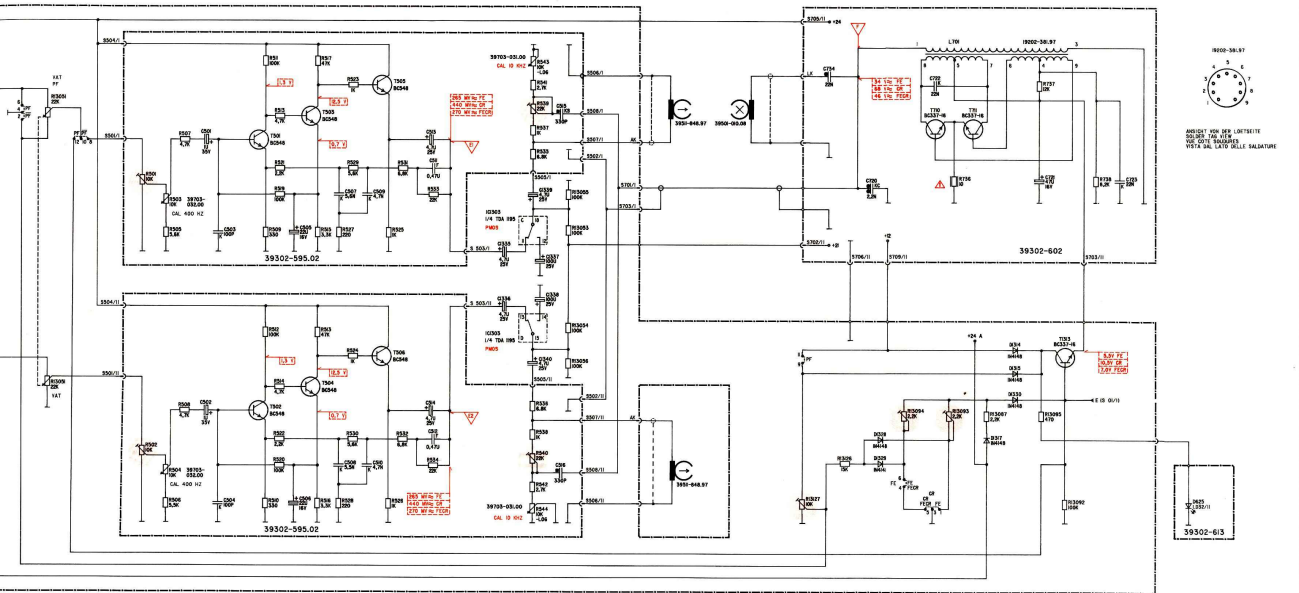
X 13005 SIEBE SIGNALSIEB WIDERSTAND
 SIEVE SIGNALSIEB WIDERSTAND
 SIEVE SIGNALSIEB WIDERSTAND
 SIEVE SIGNALSIEB WIDERSTAND

X 13006 SIEBE SIGNALSIEB WIDERSTAND
 SIEVE SIGNALSIEB WIDERSTAND
 SIEVE SIGNALSIEB WIDERSTAND
 SIEVE SIGNALSIEB WIDERSTAND

X 13007 SIEBE SIGNALSIEB WIDERSTAND
 SIEVE SIGNALSIEB WIDERSTAND
 SIEVE SIGNALSIEB WIDERSTAND
 SIEVE SIGNALSIEB WIDERSTAND

X 13008 SIEBE SIGNALSIEB WIDERSTAND
 SIEVE SIGNALSIEB WIDERSTAND
 SIEVE SIGNALSIEB WIDERSTAND
 SIEVE SIGNALSIEB WIDERSTAND

X 13009 SIEBE SIGNALSIEB WIDERSTAND
 SIEVE SIGNALSIEB WIDERSTAND
 SIEVE SIGNALSIEB WIDERSTAND
 SIEVE SIGNALSIEB WIDERSTAND



ACHTUNG VOR DER LÖTLÖTTE
SOLLEN SIE SICH
VOR GUTER TÄUGLICHKEIT
VISTA AN LATV BELLE SALVATORE

REPARATURANLEITUNG...
SIGNALSTÄRKE...
TUNING...
REPARATURANLEITUNG...

⚠ FÜR DIE WECHSELNENDE ABSOLUT WERTEN UND ÜBERSCHREIBUNG
DES WICHTIGEN DER DEN BEW. VON DER ERSTENAL DÜCKER NUR
DURCH DIE WÄRTEN ANGEWANDEN WERDEN.
⚠ ABSOLUTELY NECESSARY FOR THE SAFETY OF THE SET, THESE COMPONENTS
MUST BE REPLACED BY PARTS OF SAME SPECIFICATION ONLY.
⚠ ABSOLUMENT NECESSAIRE POUR LA SÉCURITÉ DE L'APPAREIL.
LES COMPOSANTS DOIVENT ÊTRE REMPLACÉS PAR DES ÉQUIVALENTS
MULTIPLIER DES MES COMPOSANTS AVEC LES MÊMES SPÉCIFICATIONS.
⚠ KEIN WÄRTEN VON DER ERSTENAL DÜCKER NUR
DURCH DIE WÄRTEN ANGEWANDEN WERDEN.

0007 DIN
0007 DIN BA
0007 DIN WB
BA = BASSDIAMETER
WB = WICHTIGER
ELEKTROLYT-
KONDENSATOR
KAPAZITÄT
FELEX-
KONDENSATOR
FELEX-
KONDENSATOR
FELEX-
KONDENSATOR
FELEX-
KONDENSATOR

ÄNDERUNGEN VORBEHALTEN !
ALTERATIONS RESERVES !
MODIFICAZIONI RISERVATE !
CON RISERVA DI MODIFICA !

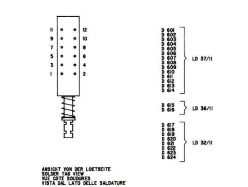
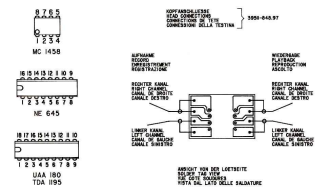
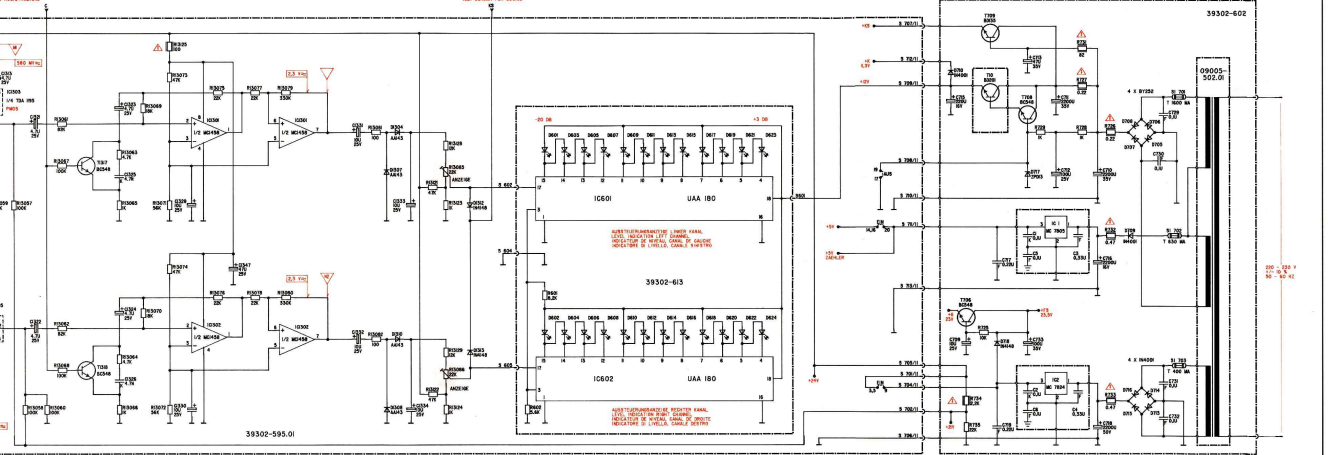


CF 5500
"AUFNAHME"
(32052-906.00 BL.II)

1	2	3	4	5	6	7	8	9	10	11	12	13	14	15	16	17	18	19	20	21	22	23	24	25	26	27	28	29	30	31	32	33	34	35	36	37	38	39	40	41	42	43	44	45	46	47	48	49	50	51	52	53	54	55	56	57	58	59	60	61	62	63	64	65	66	67	68	69	70	71	72	73	74	75	76	77	78	79	80	81	82	83	84	85	86	87	88	89	90	91	92	93	94	95	96	97	98	99	100
---	---	---	---	---	---	---	---	---	----	----	----	----	----	----	----	----	----	----	----	----	----	----	----	----	----	----	----	----	----	----	----	----	----	----	----	----	----	----	----	----	----	----	----	----	----	----	----	----	----	----	----	----	----	----	----	----	----	----	----	----	----	----	----	----	----	----	----	----	----	----	----	----	----	----	----	----	----	----	----	----	----	----	----	----	----	----	----	----	----	----	----	----	----	----	----	----	----	----	-----

8. PERFORMANCE
DATA FOR RECORDING
OR REPRODUCTION
OF MAGNETIZATIONS

SHOW SIGNAL LEVELS
BY CIRCUIT BOARD FOR 100%
FOR SYSTEM TEST LAYOUT
AND SIGNAL PER LOSS



- ALFANUMERIC KEYS ON DISPLAY BOARD
- RECORD PLAYBACK
- DISPOSITION
- RECALIBRATION
- ALFANUMERIC KEYS ON REPRODUCTION BOARD
- IC-VOLTAGES MEASURED AGAINST MIND AT SIGNAL LEVEL AND NO SIGNAL LEVEL
- DISPOSITION
- RECALIBRATION

- SIGNAL VOLTAGES MEASURED WITH F = 1 KHZ. DISPOSITIONS IN VOLTS
- SIGNAL VOLTAGES MEASURED WITH F = 1 KHZ. DISPOSITIONS IN VOLTS
- SIGNAL VOLTAGES MEASURED WITH F = 1 KHZ. DISPOSITIONS IN VOLTS
- SIGNAL VOLTAGES MEASURED WITH F = 1 KHZ. DISPOSITIONS IN VOLTS

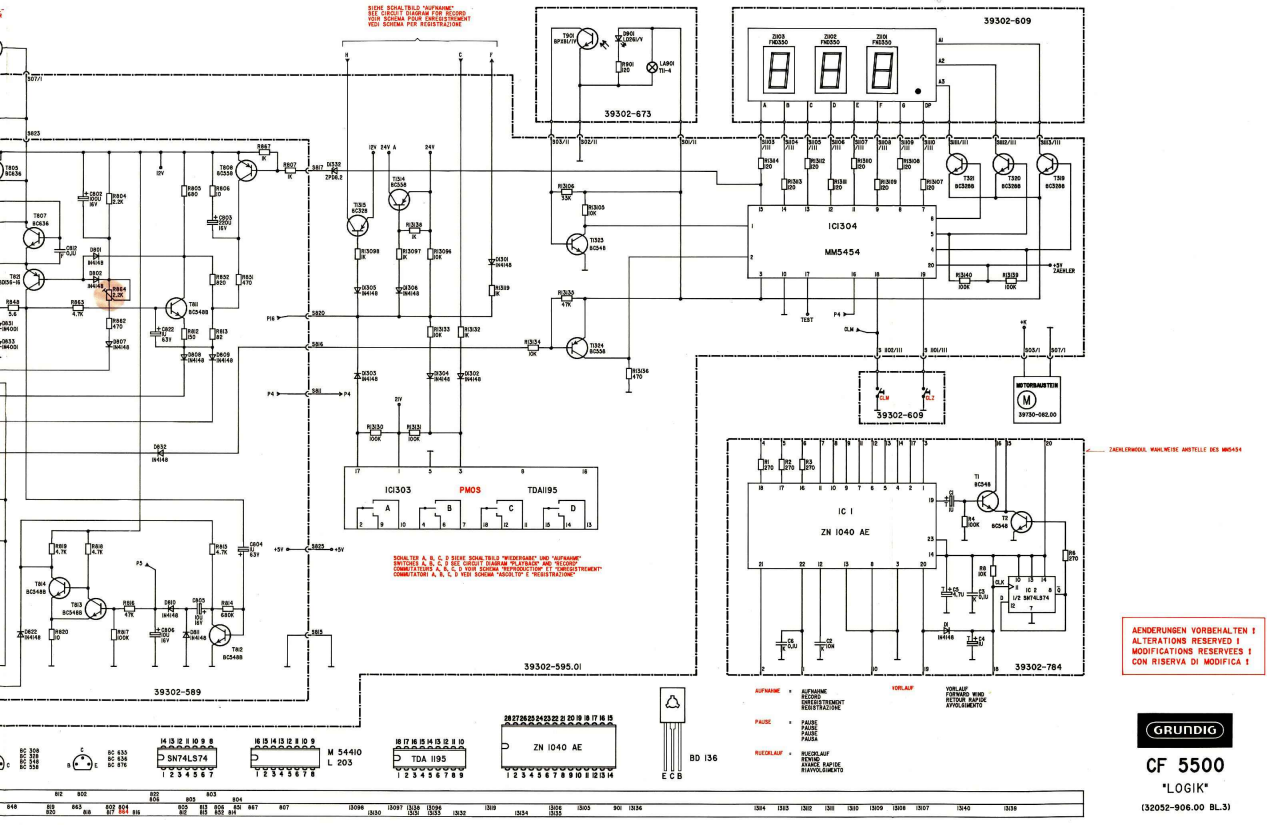
ALTERAZIONI CONSERVARE I
ALTERATIONS RESERVED I
MODIFICAZIONI RESERVEES I
CON RISERVA DI MODIFICA I



CF 5500
"WIEDERGABE"
(32052-906.00 BL.2)

1	2	3	4	5	6	7	8	9	10	11	12	13	14	15	16	17	18	19	20	21	22	23	24	25	26	27	28	29	30	31	32	33	34	35	36	37	38	39	40	41	42	43	44	45	46	47	48	49	50	51	52	53	54	55	56	57	58	59	60	61	62	63	64	65	66	67	68	69	70	71	72	73	74	75	76	77	78	79	80	81	82	83	84	85	86	87	88	89	90	91	92	93	94	95	96	97	98	99	100
---	---	---	---	---	---	---	---	---	----	----	----	----	----	----	----	----	----	----	----	----	----	----	----	----	----	----	----	----	----	----	----	----	----	----	----	----	----	----	----	----	----	----	----	----	----	----	----	----	----	----	----	----	----	----	----	----	----	----	----	----	----	----	----	----	----	----	----	----	----	----	----	----	----	----	----	----	----	----	----	----	----	----	----	----	----	----	----	----	----	----	----	----	----	----	----	----	----	----	-----

STICH SCHALTZELD "HÖRPHASEN"
 SEE SCHEMATIC DIAGRAM FOR PHASES
 WITH SIGNAL FROM SUBSTATION
 WITH SIGNAL FROM SUBSTATION
 WITH SIGNAL FROM SUBSTATION



ÄNDERUNGEN VORBEHALTEN I
 ALTERATIONS RESERVED I
 MODIFICATIONS RESERVES I
 CON RISERVA DI MODIFICA I



CF 550
 "LOGIK"
 (32052-906.00 BL.3)